

# FT-15NC

## ACCESS CONTROL KEYPAD READER

### Product Features



- Mifare/IC reader and controller, easy to install, easy to use, stable performance.
- Operating way: Card and Password.
- Touch keypad with backlight.
- Indication: LED and electronic buzzer.
- Wiegand 26 out/in (be used as wiegand reader to controller, connect extra reader).
- Suitable for all kinds of access control system.
- Built-in high-current output drive for the electric lock.
- External doorbell option on the panel.
- Strong Zinc Alloy Electroplated anti-vandal case
- Lock output current short circuit protection
- Built-in a light-dependent resistor (LDR) for anti-tamper

### Technical Specifications

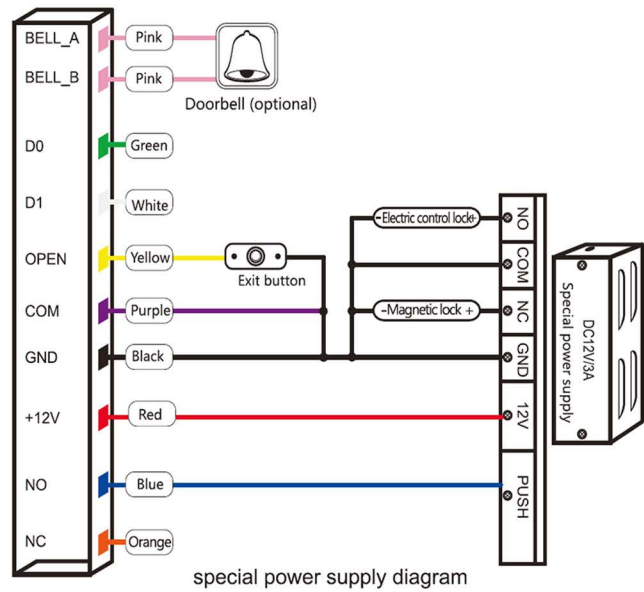
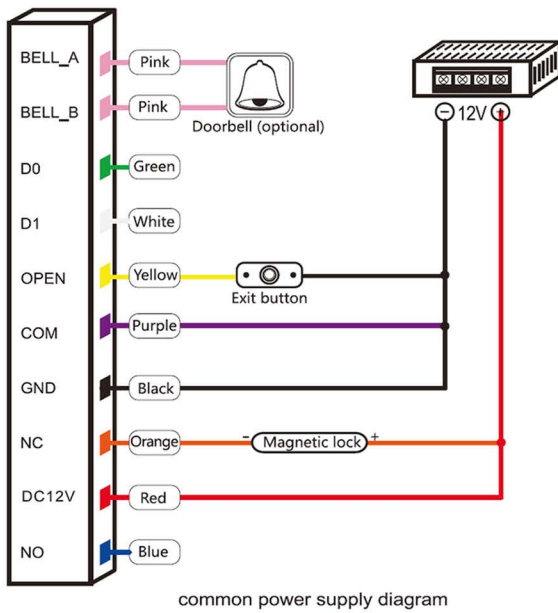
Model	FT-15NC
User Capacity	2000
Card Type	Mifare (IC) card 13.65Mhz
Output Format	Wiegand 26 bits (default)
Open Mode	Card or card & password or password
Operating Voltage	DC 12~24V
Operating Current	<30mA
Card Reading Distance	30~50mm
Backlight	Yes
Dimensions	120x76x23mm
Operating Humidity	-10%- 90% RH
Adjustable Door Relay time	0 -99 seconds
Adjustable Alarm Time	0- 3 minutes
Operating Temperature	-45°C~60°C
Wiring Connections	Electric Lock, Exit Button, External Alarm, External Reader
Weight	350g

# FT-15NC

## Dimension:



## Connection Details:



## Wiegand Connection Details:

