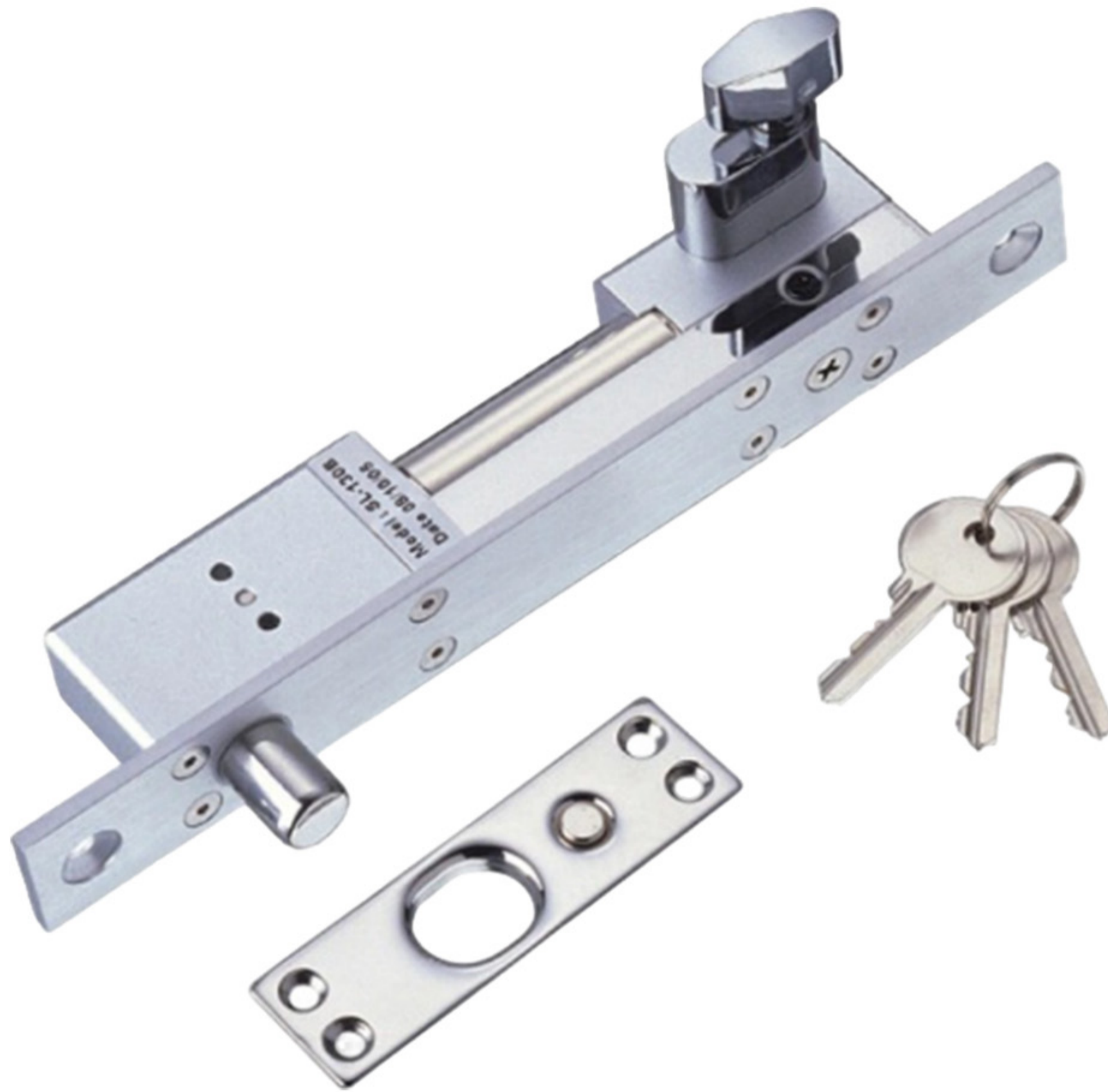


F-B130

ELECTRIC DEADBOLT LOCK (FAIL SAFE & FAIL SECURE ADJUSTABLE)



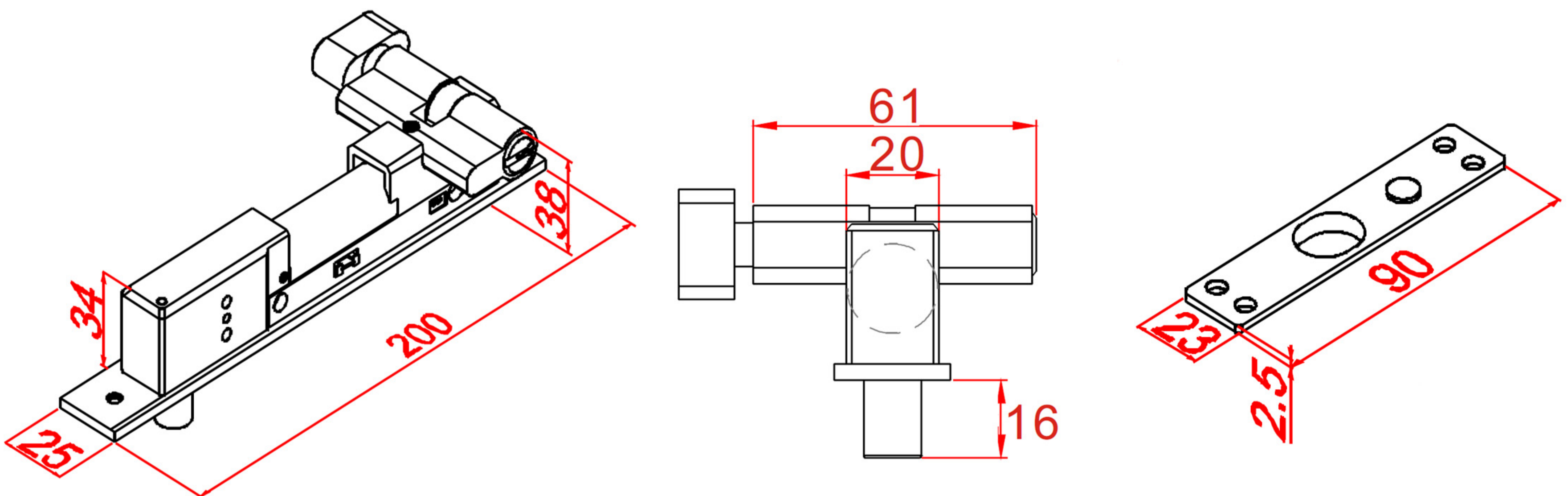
Product Features

- Stainless steel bolt is able to sustain 2,000lbs of shear force.
- Built-in oval cylinder as unlocking device. Use of oval cylinder to unlock when power cut occurred or during emergency.
- Adjustable fail-safe (*power to lock*) or fail-secure (*power to open*). Suitable for all types of 90°~180° Swing doors.
- Micro computer door position detection and current control to prevent error action and lower the lock's temperature.
- Built-in photo coupler door open push button input contact. Door will lock again automatically when door is not open within 5 seconds.

Technical Specification

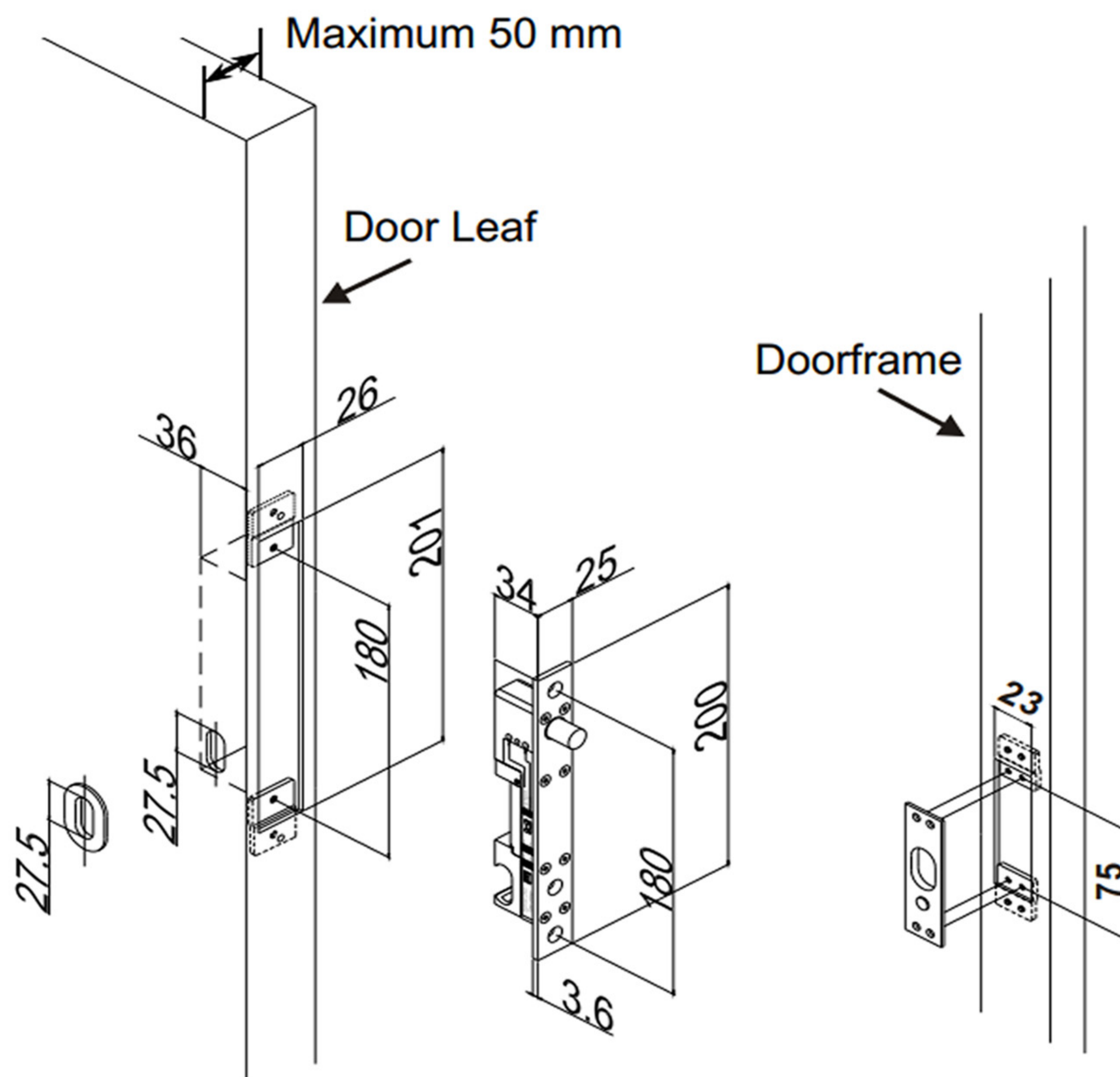
Model	F-B130
Material	Stainless steel
Holding Force	2,000lbs
Feature	Adjustable Fail Safe and Fail secure Positions
Time Delay	0,3,5,9 Sec
Voltage	DC12V
Start Current	880mA
Standby Current	250mA
Bolt Position Points	N.C & N.O Outputs.
Bolt/Induction Distance	16mm(Throw) x 12.7mm(Diameter) / 10mm
Body Dimension	200mm(L) x 25mm(W) x 38mm(D)
Operation temperature	60°C ± 5°C
Weight	750g

Dimensions:

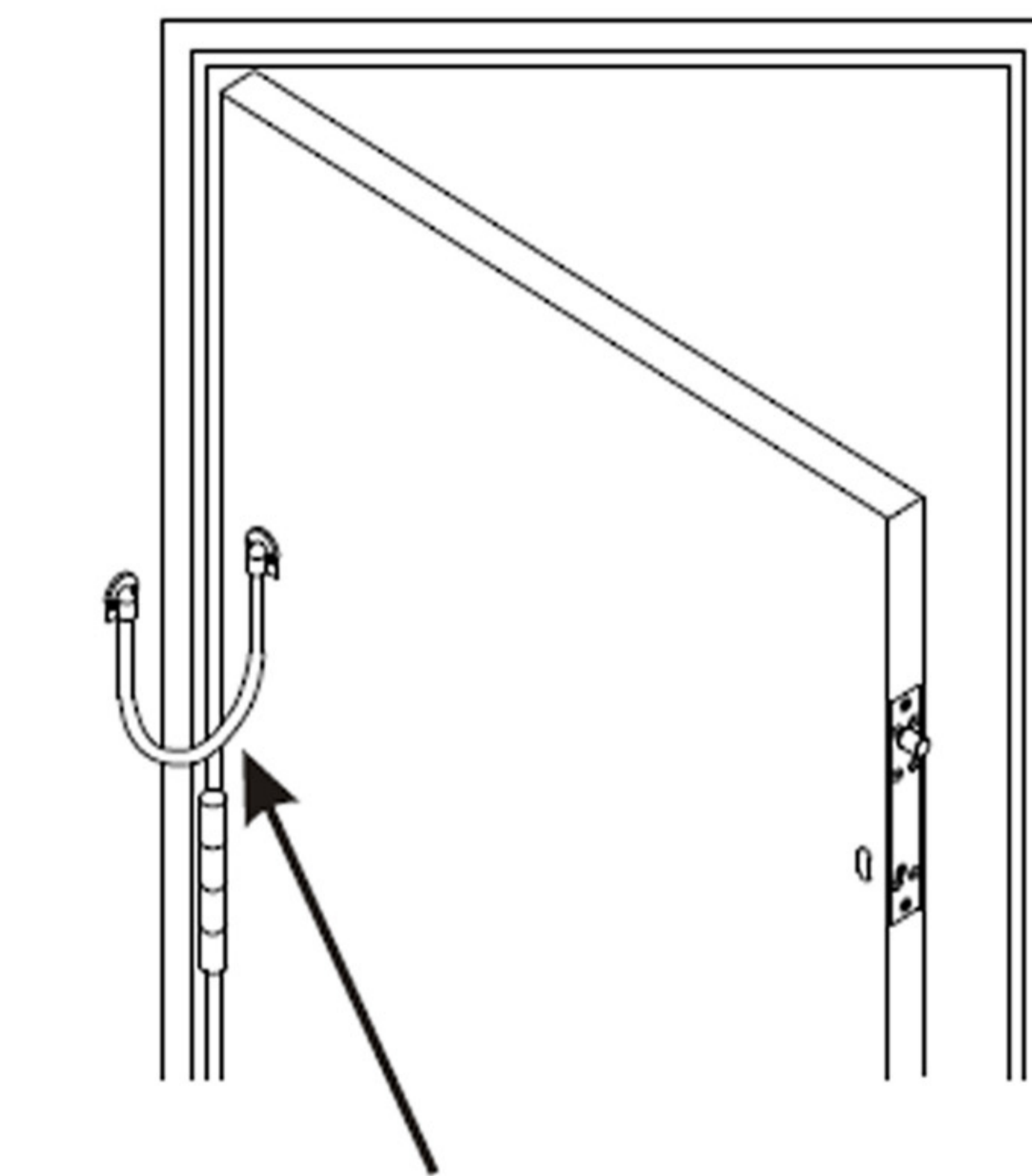
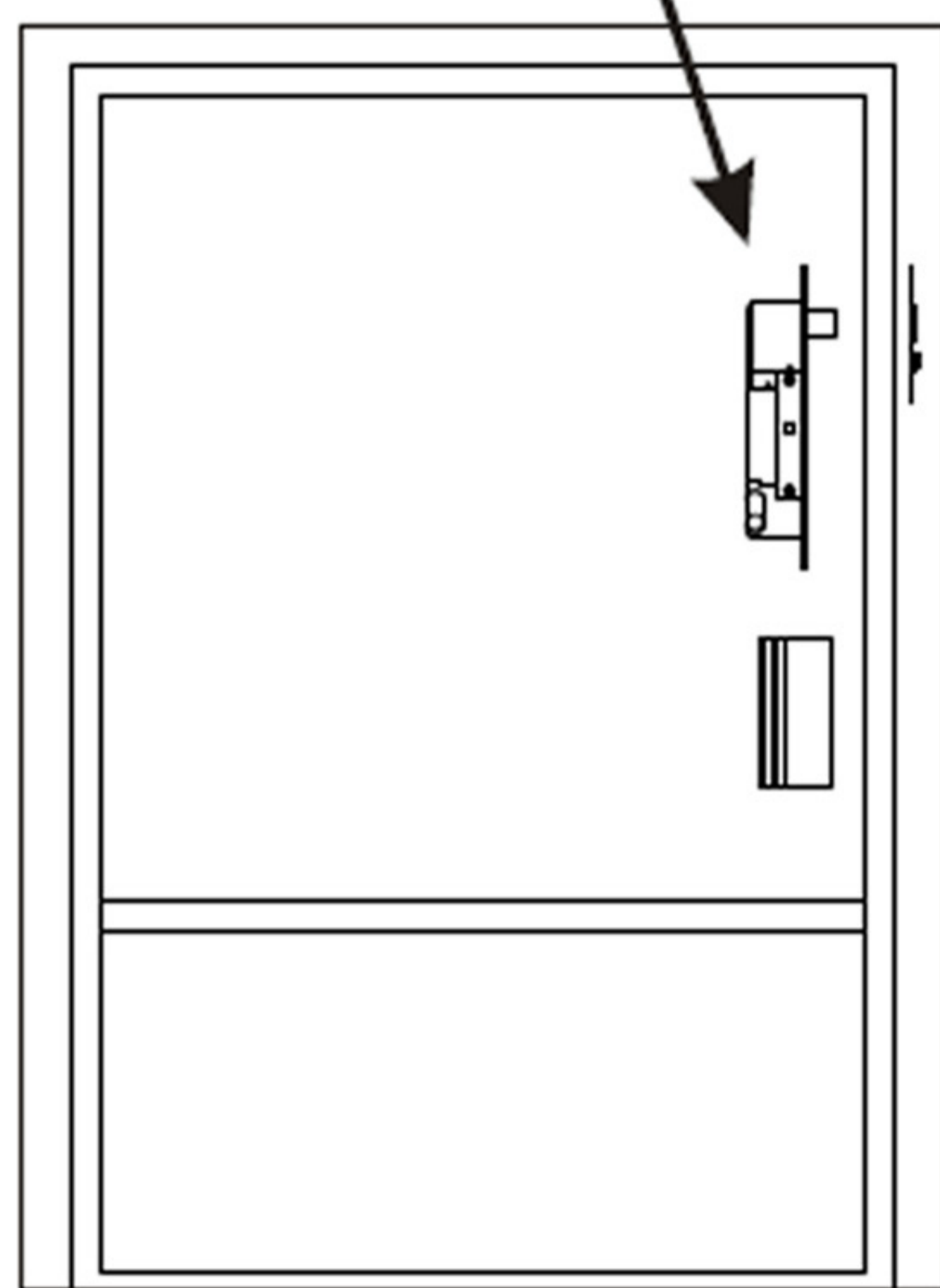


Installation diagram:

※ Please note the width limitation of door leaf.

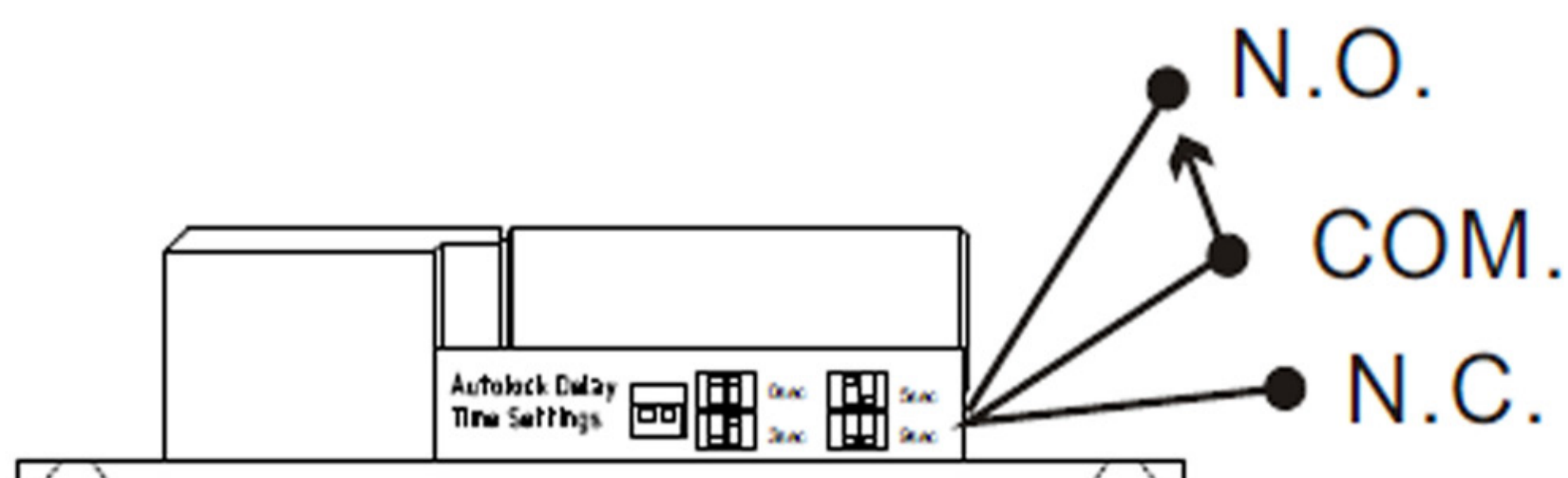


※ The correct installation position of the electric lock the door leaf, not on the door frame.

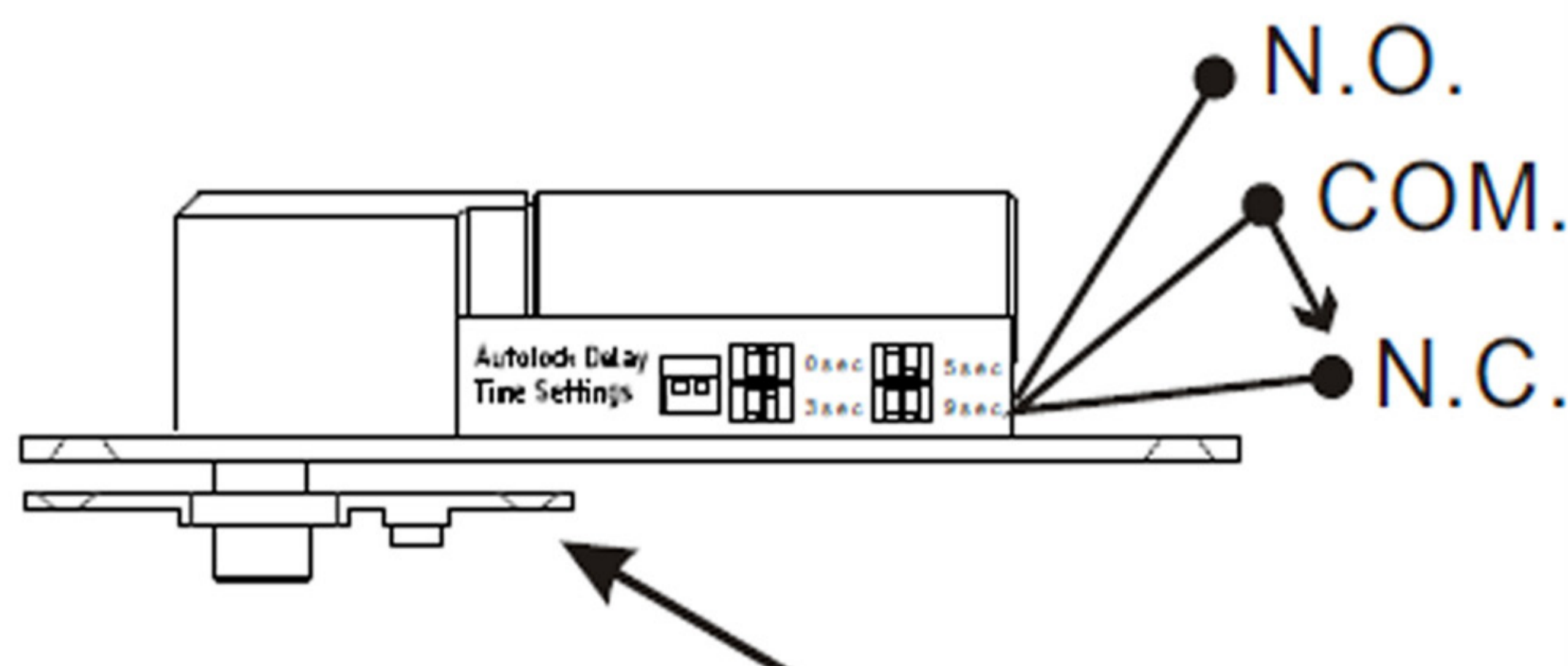


Armored Door Loop (Optional)

※ Door position detection output:



When door is not closed, detection output is COM and N.O. Connected.



When door is closed, detection output is COM and N.C. Connected.