

**INFRARED SENSOR EXIT BUTTON - NO TOUCH**



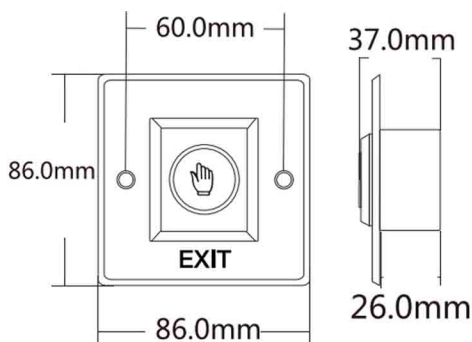
**Product Features**

- No touch exit button with remote control.
- Durable high quality stainless steel faceplate with infrared induction.
- High sensitivity sensor for fast identification.
- Corrosion resistance PC plastic closure for high temperature.
- Easy installation, long lifespan.

**Technical Specifications**

Model	FB-7
Material	304 Stainless steel
Function	Touchless & Remote
Remote Handle	Single key
Power	DC 12V-24V max
Output Contact	NO/NC/COM
Sensing distance	<10 CM
Installation Mode	Surface Mount
Mechanical Life	500,000 tests
Operating Temp	-10°C ~+55°C
Suitable Humidity	0-95% (Relative humidity)
Dimensions	86L*86W*30H (mm)
Weight	100g

**Dimension**



Blu-ray indication during standby



Green light indication during induction