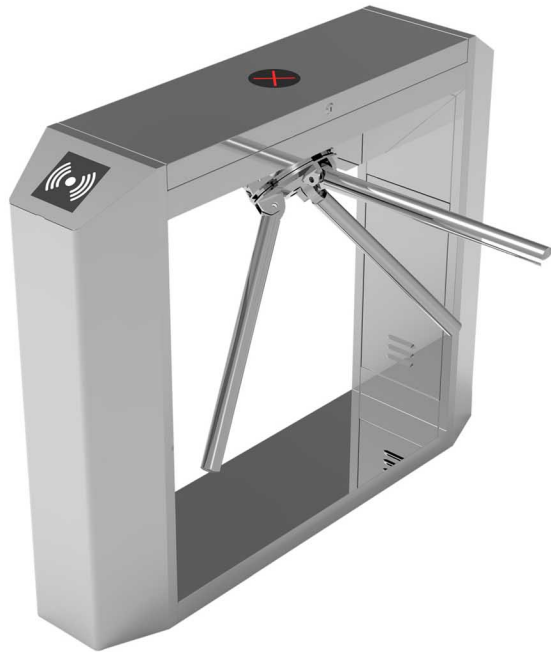


TRIPOD TURNSTILE



Product Features

- **Auto-reposition function:** After card read, if passengers not pass within regulated time period, turnstile will be locked automatically.
- Bi-direction or uni-direction passing.
- When the power is off, the arm will be locked automatically.
- **Self-lock function:** The arm will be locked automatically after passenger passing.
- LED passing arrow can show direction to indicate passenger to pass.
- Standard interfaces are convenient for connection with different readers which can send relay signal.
- Stable performance with low noise.

Technical Specifications

Model	F-B005
Material	304 stainless steel
Power Supply	AC220V±10V, 50Hz / AC110V±10V, 60Hz
Power Consumption	100W
Temperature	-15°C to 60°C
Humidity	<95%, without concretion
Passage Width	600mm
Arm Open/Close Time	2s
Input Interface	+12V Electrical or impulse signal with width more than 100ms, drive current >10mA
Working Environment	Indoor or outdoor with shed
Arm Turning	Uni-direction or Bi-direction
Finishing	Brushed
Arm Diameter	Φ 38(diameter)
Dimension	1200x280x990 mm

Constructions

Turnstile column: SS304.

Guiding elements inside and outside: Light metal casting, natural anodized.

Portal frame: Made of steel with space reserved for installations.

Dimension

