

FB-100T / FB-100NST

ELECTRIC BOLT LOCK

Product Features

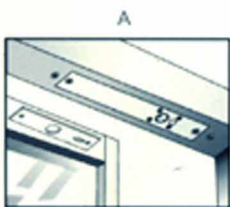
- Bolt action lock.
- Low temperature design, which makes access safer and durable.
- High-strength aluminum alloy lock body with stainless steel lock head.
- Suitable for glass door, wooden door and metal door.



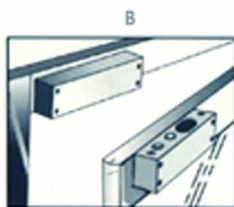
Technical Specifications

Model	FB-100T / FB-100NST
Face Plate Material	High aluminum, Carrulous line finished
Holding Force	800Kg
Feature	FB-100T - Fail safe electric bolt with time delay 0,3,6 sec FB-100NST - Fail safe electric bolt with signal output & time delay 0,3,6 sec
Voltage	DC 12V
Start Current	800mA
Standby Current	80mA
Solid Bolt	Polishing housing
Bolt	16mm
Induction Distance	8mm
Face Plate	204Lx34Wx42H(mm)
Strike	90Lx25Wx2H(mm)
Weight	600g

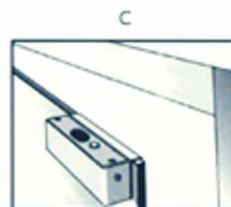
Bracket Mounting



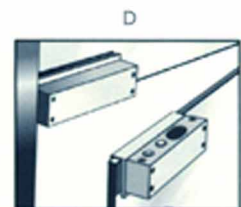
Hollow metal frame



Surface mount for narrow frame and thin door leaf



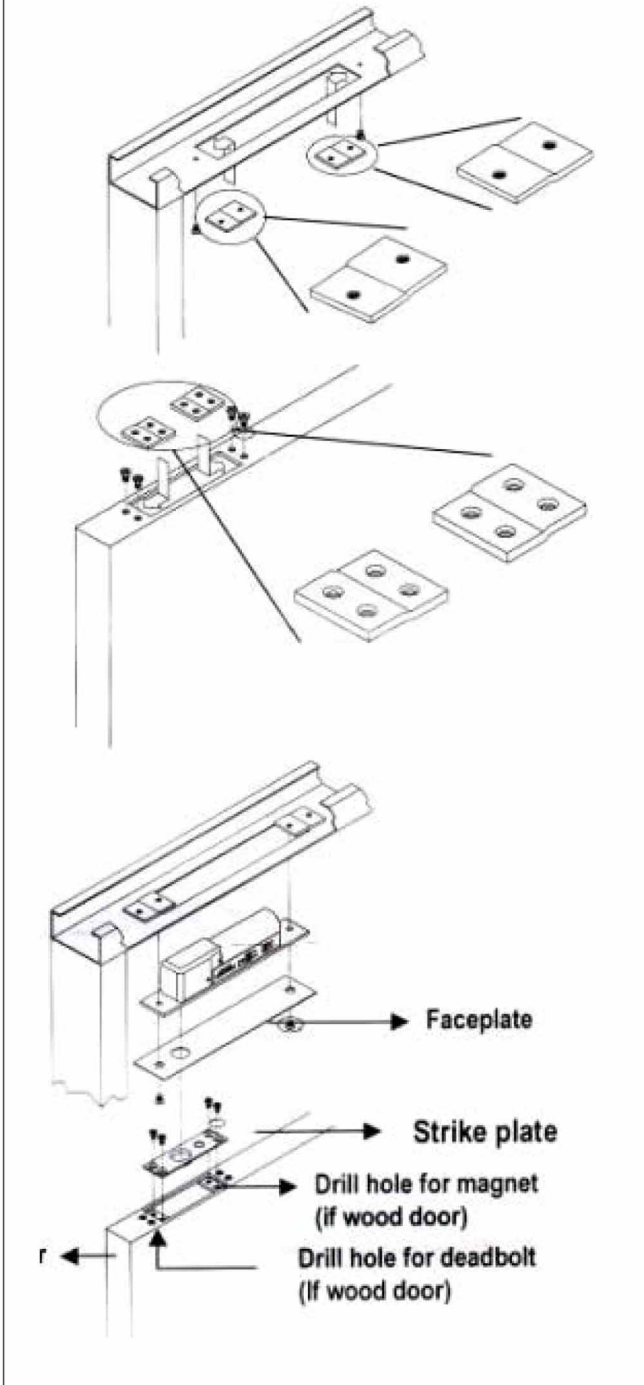
Full glass door leaf
Low temperature design



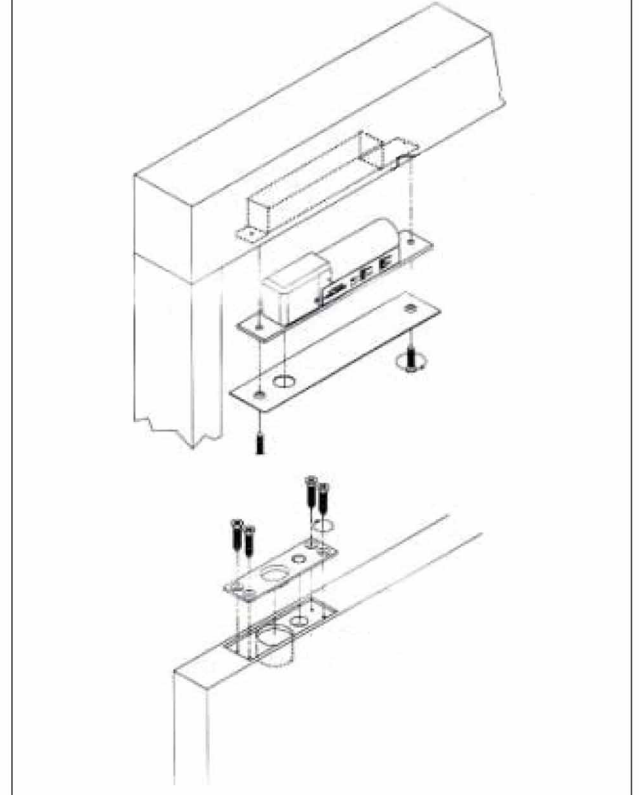
Full glass door leaf and door frame

Installation

For Hollow Metal Doors:



For Wood Doors:



For Glass Doors:

