

F-D601

WALL MOUNT DOOR HOLDER

Product Features

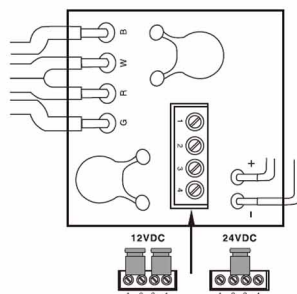
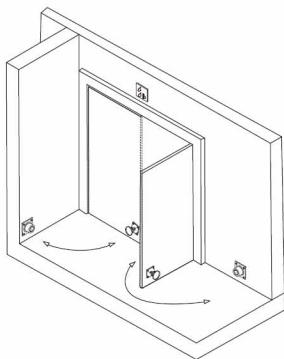


- Professional anti-residual magnetism design ensures highest security.
- Dual voltage selectable (12VDC or 24VDC).
- Wall mounting direction.
- Reliable Fail-safe mechanism.
- Durable and silence operation.
- Low current consumption.

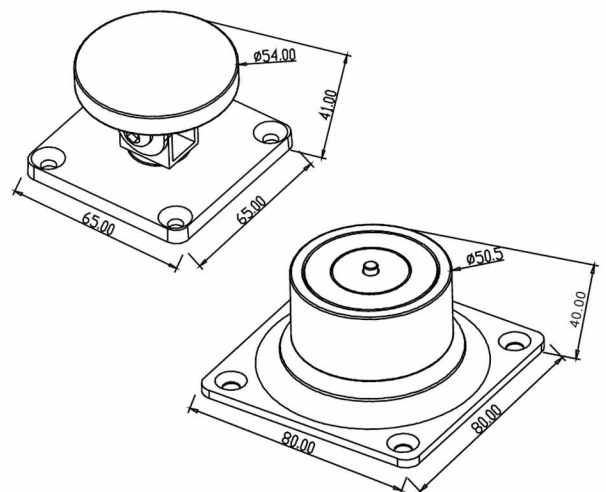
Technical Specifications

Model	F-D601
Holding Force	50kg (110lbs)
Voltage	12/24 VDC +/- 10%(Adjustable)
Current Draw	12V/140mA, 24V/70mA
Suitable Humidity	0~95%
Operating Temp	-10°C~+55°C (14-131F)
Suitable for	All Kinds of Single/ Double smokeproof doors
Finishes for Shell	High temperature paint environmental protection zinc
Finishes for Armature	Chromium
Size	80Lx80Wx40H (mm)
Weight	0.85kg

Installation



Dimension



1. The default setting is 24VDC.
2. To connect with 12VDC, Operating as below.
 - Pull out the two jumpers.
 - To set up 12VDC, Insert first jumper on position 1 & 2, the second jumper on position 3 & 4.